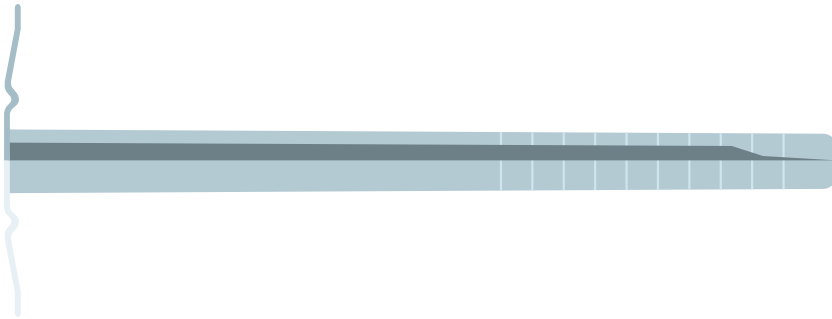


TECHNICAL INFORMATION FOR

INSULATION FIXINGS



TECHNICAL DATA SHEETS



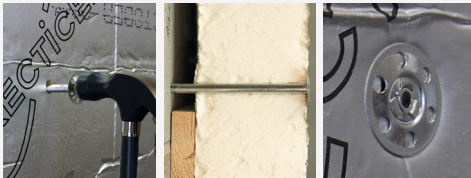
METAL INSULATION FIXINGS



- Designed to anchor insulation material to concrete and masonry substrate materials.

1 2 3 4 5
CLEAN, DRY & LOW HUMIDITY ENVIRONMENTS

ZINC



FEATURES



- All metal through fixing.
- Large diameter head.
- Minimum embedment depth marker.
- Disc only sold separately.
- To be used with 4.0 - 6.0mm screws.
- Designed to be used with screws for attaching insulation material to timber.

Product Code	Head Ø (mm)	Hole Size Ø (mm)	Bag Qty	Carton Qty (Bag)	Carton Qty
MID35	35	5.0	100	35	3,500

PRODUCT RANGE

ZINC

Product Code	Size Ø x L (mm)	MFT (mm)	Bag Qty	Carton Qty (Bag)	Carton Qty	Pallet Qty (Bag)	Pallet Qty
MIF60	8 x 60	10	100	6	600*	240	24,000
MIF90	8 x 90	40	100	4	400*	160	16,000
MIF110	8 x 110	60	100	3	300*	120	12,000
MIF140	8 x 140	90	100	3	300*	120	12,000
MIF170	8 x 170	120	50	5	250*	200	10,000
MIF200	8 x 200	150	50	4	200*	160	8,000

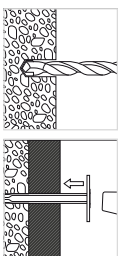
DIMENSIONS

Product Code	Size Ø x L (mm)	H ₀ (mm)	Min. Embedment Depth (mm) h _{ef}	Max. Fixture Thickness (mm) t _{fix}	Min. Drill Hole Depth (mm) h ₀
MIF60	8 x 60	10	100	6	600*
MIF90	8 x 90	40	100	4	400*
MIF110	8 x 110	60	100	3	300*
MIF140	8 x 140	90	100	3	300*
MIF170	8 x 170	120	50	5	250*
MIF200	8 x 200	150	50	4	200*

*all figures stated are approximate and for reference only.

Ø x L	Diameter x Length	t _{fix}	Max. Fixture Thickness
H ₀	Head / Disc Diameter	d ₀	Min. Drill Hole Depth
h _{ef}	Min. Embedment Depth		

INSTALLATION GUIDELINES



Drill required diameter hole.

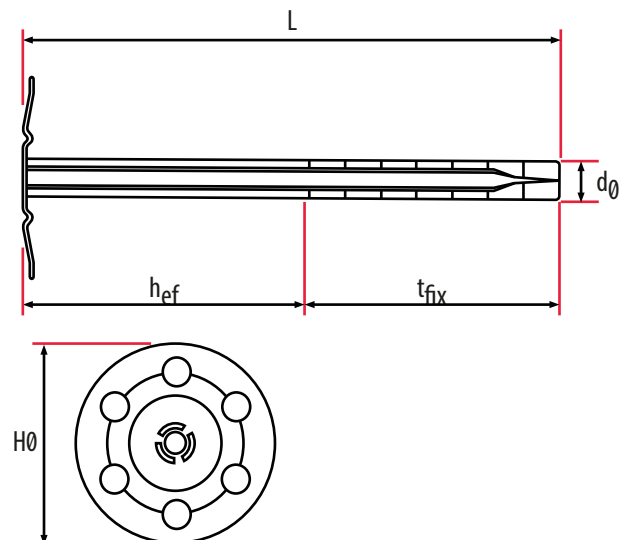
Size Ø (mm)	M8	M10
Drill Hole Ø (mm)	10	12

Hammer fixing through insulation.

TECHNICAL DATA



Substrate	Concrete ≥ 25N/mm ²
Type	Metal
Drill Hole Ø (mm) d ₀	8
Min Embedment Depth (mm) h _{ef}	50
Min Drill Hole Depth (mm) h ₀	60
Rec. Tensile Load (kN)	0.20
Max Rec. Load (kg)	20





METAL INSULATION FIXINGS



- Designed to anchor insulation material to concrete and masonry substrate materials. One piece impact resistant copolymer.



FEATURES



- All metal through fixing.
- Large diameter head.
- Minimum embedment depth marker.

PRODUCT RANGE

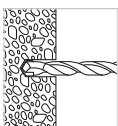
Product Code	Size Ø x L (mm)	MFT (mm)	Bag Qty	Carton Qty (Bag)	Carton Qty
PIF50	8 x 50	10	100	10	1,000*
PIF70	8 x 70	30	100	10	1,000*
PIF90	8 x 90	50	100	8	800*
PIF110	8 x 110	70	100	8	800*
PIF130	8 x 130	90	100	8	800*

DIMENSIONS

Product Code	Size Ø x L (mm)	H ₀ (mm)	Min. Embedment Depth (mm) h _{ef}	Max. Fixture Thickness (mm) t _{fix}	Min. Drill Hole Depth (mm) h ₀
PIF50	8 x 50	35	40	10	50
PIF70	8 x 70	35	40	30	50
PIF90	8 x 90	35	40	50	50
PIF110	8 x 110	35	40	70	50
PIF130	8 x 130	35	40	90	50

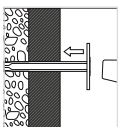
*all figures stated are approximate and for reference only.

INSTALLATION GUIDELINES



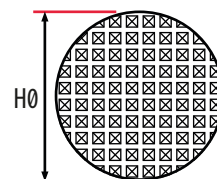
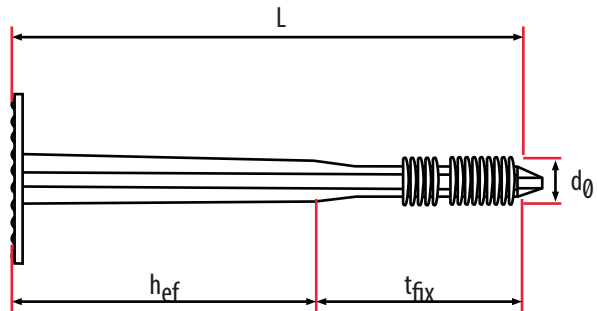
Drill required diameter hole.

Size Ø (mm)	M8	M10
Drill Hole Ø (mm)	10	12



Hammer fixing through insulation.

Ø x L	Diameter x Length	t _{fix}	Max. Fixture Thickness
H ₀	Head / Disc Diameter	d ₀	Min. Drill Hole Depth
h _{ef}	Min. Embedment Depth		



TECHNICAL DATA



Substrate	Concrete ≥ 25N/mm ²
Type	Plastic
Drill Hole Ø (mm) d ₀	8
Min Embedment Depth (mm) h _{ef}	40
Min Drill Hole Depth (mm) h ₀	50
Rec. Tensile Load (kN)	0.15
Max Rec. Load (kg)	15