

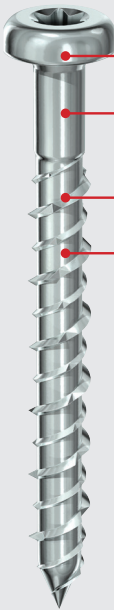


Product Information

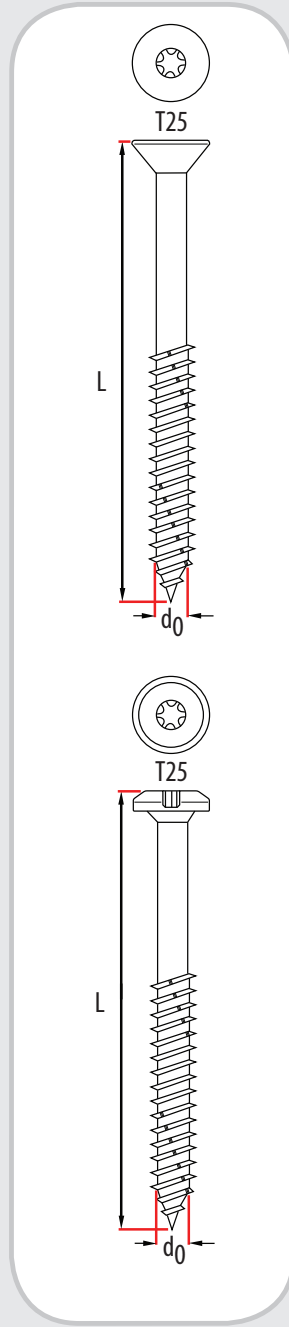
- One piece through fixing
- Smaller hole diameter required, compared to other traditional light duty fixings
- All metal, non-flammable fixing
- Non-expansion

Key Features

Choice of **Countersunk** or **Pan head** types to suit multiple applications.



- **Serrated V-threads** to achieve optimum insertion into all masonry types
- Suitable for concrete and brick
- Zinc plated for increased corrosion resistance



L - Length
d₀ - Drill hole diameter

TIMco Multi-Fix Screw Countersunk Range

TIMco code	Size Ø x Length (mm) d x L	Drill Size (mm) d ₀	Driver Bit size	Max Fixture thickness (mm) t _{fix}	Min Hole Depth (mm) h ₀	Min. Embedment depth (mm) h _{ef}	Rec. Tensile Load (kN) * N _{rec}	Box Qty	Carton Qty
640MFC SK	6 x 40	5.0	T25	15	35	25	1.0	100	1800
660MFC SK	6 x 60	5.0	T25	35	35	25	1.0	100	1200
680MFC SK	6 x 80	5.0	T25	55	47	25	1.0	100	1200
6100MFC SK	6 x 100	5.0	T25	63	47	37	1.5	100	1000

TIMco Multi-Fix Screw Pan Head Range

TIMco code	Size Ø x Length (mm) d x L	Drill Size (mm) d ₀	Driver Bit size	Max Fixture thickness (mm) t _{fix}	Min Hole Depth (mm) h ₀	Min. Embedment depth (mm) h _{ef}	Rec. Tensile Load (kN) * N _{rec}	Box Qty	Carton Qty
640MFPAN	6 x 40	5.0	T25	15	35	25	1.0	100	1800
660MFPAN	6 x 60	5.0	T25	35	35	25	1.0	100	1200
680MFPAN	6 x 80	5.0	T25	55	47	25	1.0	100	1200
6100MFPAN	6 x 100	5.0	T25	63	47	37	1.5	100	1000

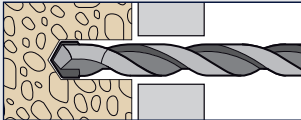
* C20/25 Concrete



Installation Data (C20/25 Concrete)

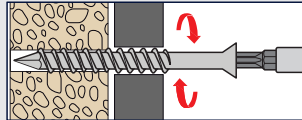
Substrate	Concrete	
Length (mm) L	40-80	100
Driver Bit Size	T25	T25
Drill Hole Ø (mm) d_0	5.0	5.0
Min Embedment Depth (mm) h_{ef}	25	37
Min Drill Hole Depth (mm) h_0	35	47
Min Clearance Hole (mm) d_f	6.5	6.5
Max Fixture Thickness (mm) t_{fix}	Length (L) minus Min	

Installation Guidelines



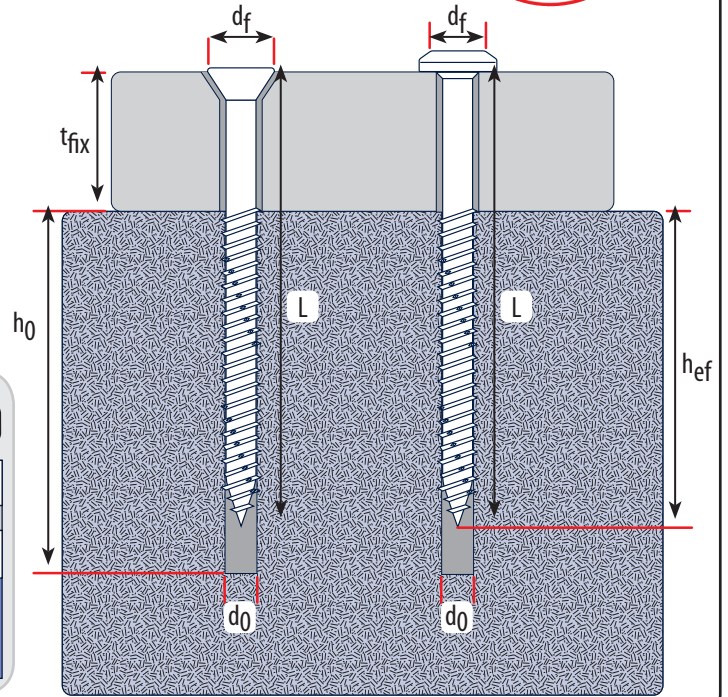
1 Drill

Drill the hole 90° to the substrate. Always overdrill the hole depth for dust and debris.



2 Fix

Using a power tool, tighten the fixing firmly against the attachment.



Applications

